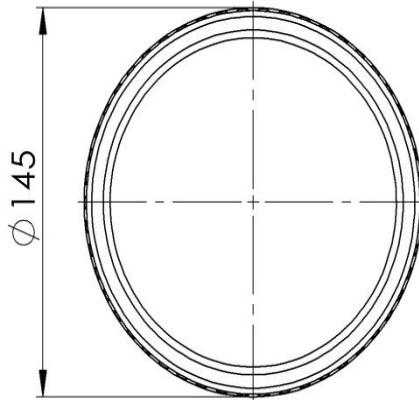
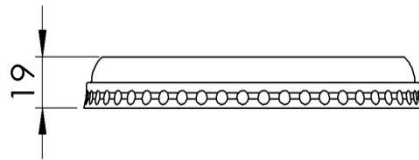


## Technical Data Sheet

Tray

Lid 145 Dome



### Packaging specifications

|                        |       |
|------------------------|-------|
| Type of pallet         | Wood  |
| Units per package      | 520   |
| Package per pallet     | 20    |
| Total units per pallet | 10400 |

**Food contact approval** In compliance with the EU 10/2011, Israel standard 5113, CFR 21 USA-FDA

\* The given tech. data are Typical values only.

\* It is the customer responsibility to check the suitability of the product to his production process.