

Technical Data Sheet

Tray Gastronom 50

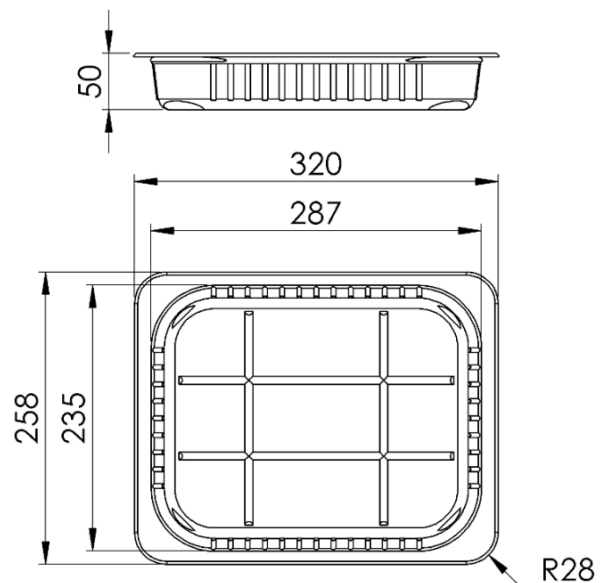
Dimensions (mm)

Depth	50.0 ± 0.5%
Length	312.0 ± 1.5%
Width	258.0 ± 1.5%
Capacity (cc)	3100
Weight (gr)	66.0 ± 5.0%



Sheet Description

Thickness	0.90 mm
Color	Any
Material	PP
Specific gravity	0.92 ± 1.5% gr/cc
Barrier	Low



Packaging specifications

Type of pallet	Wood
Units per package	120
Package per pallet	28
Total units per pallet	3360

Food contact approval In compliance with the EU 10/2011, Israel standard 5113, CFR 21 USA-FDA

Storage conditions and shelf life Max. 12 months In close and clean area, at max. temperature of 40°C.
If stored at low temp. (below 0°C) the material should be Tempered min. 12 hours to reach room temperature.

* The given tech. data are Typical values only.

* It is the customer responsibility to check the suitability of the product to his production process.

Approved by: Godinger Adam

6-D1(09-13)