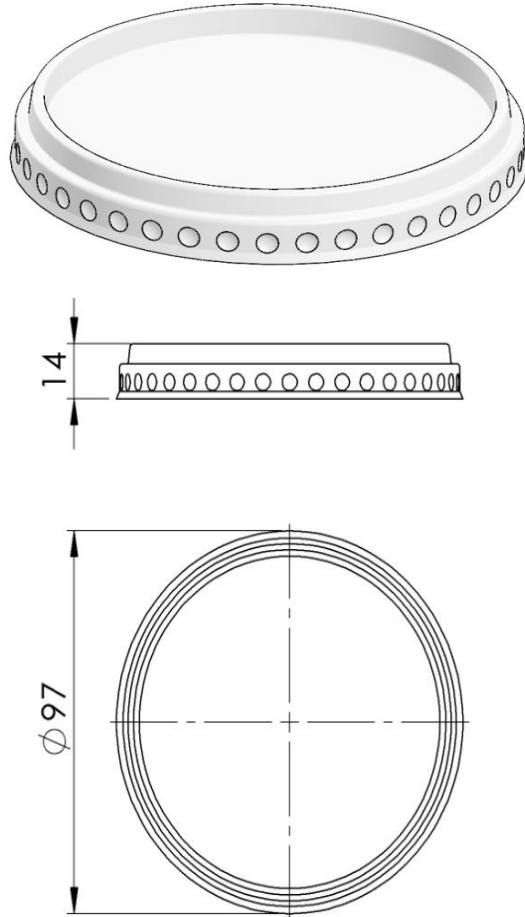


Technical Data Sheet

Tray Lid 95 Dome



Packaging specifications

Type of pallet	Wood
Units per package	1200
Package per pallet	20
Total units per pallet	24000

Food contact approval In compliance with the EU 10/2011, Israel standard 5113, CFR 21 USA-FDA

* The given tech. data are Typical values only.

* It is the customer responsibility to check the suitability of the product to his production process.