

Technical Data Sheet

Tray Snir 27.5

Customer

Cat. No. 60414800

Dimensions (mm)

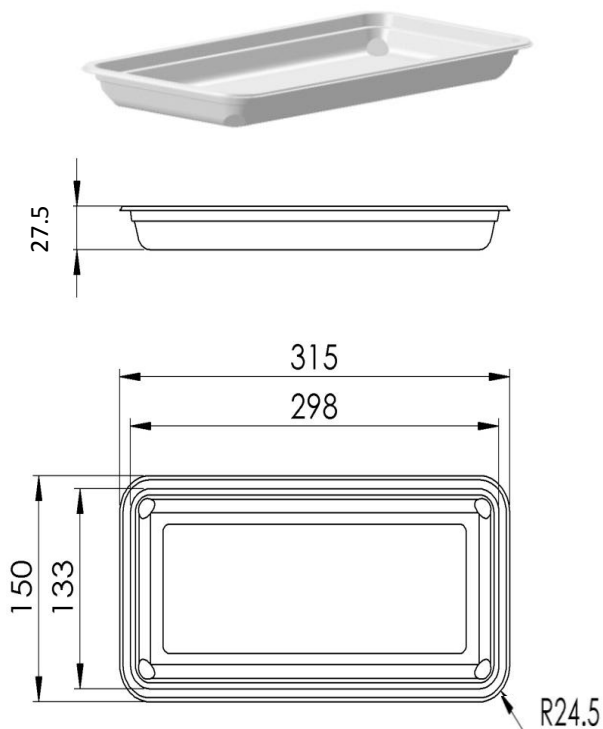
Depth 29.0 ± 0.5%
Length 315.0 ± 1.5%
Width 150.0 ± 1.5%
Capacity (cc) 1000
Weight (gr) 28.3 ± 5.0%

Sheet Description

Thickness 0.65 mm
Color Natural
Material MLPP/PB
Specific gravity 0.91 ± 1.5% gr/cc
Barrier High

Packaging specifications

Type of pallet Wood
Units per package 600
Package per pallet 12
Total units per pallet 7200



Food contact approval In compliance with the EU 10/2011, Israel standard 5113, CFR 21 USA-FDA

Storage conditions and shelf life Max. 6 months In close and clean area, at max. temperature of 40°C.
If stored at low temp. (below 0°C) the material should be
Tempered min. 12 hours to reach room temperature.

* The given tech. data are Typical values only.

* It is the customer responsibility to check the suitability of the product to his production process.

Approved by: A.Godinger Technologist

6-D1(09-13)